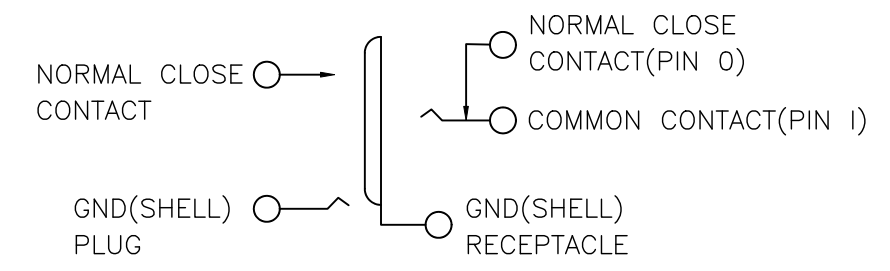
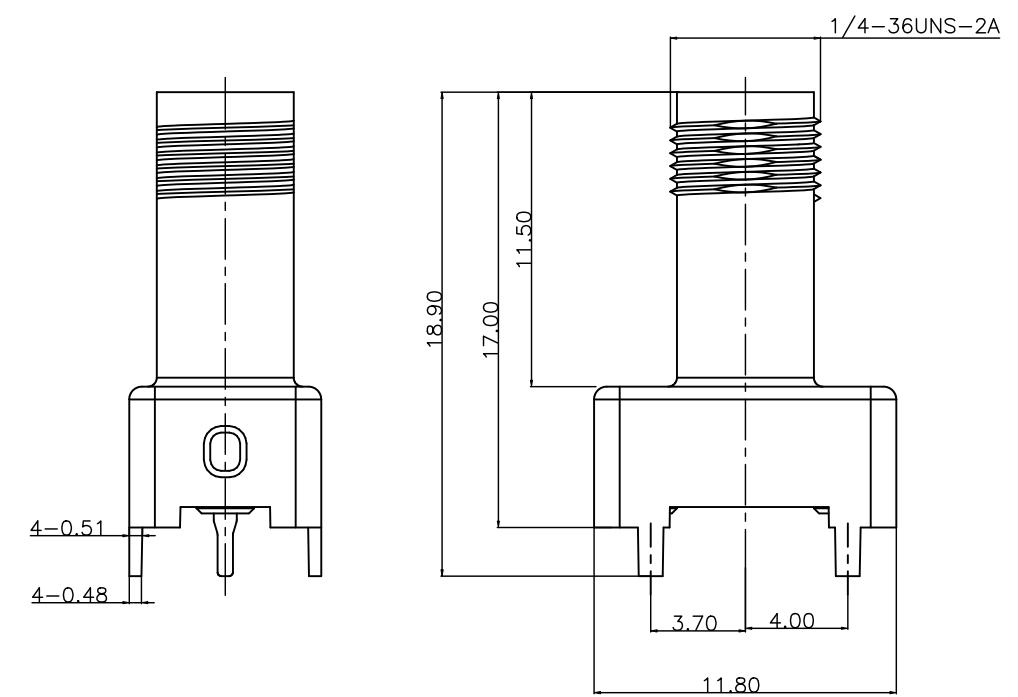
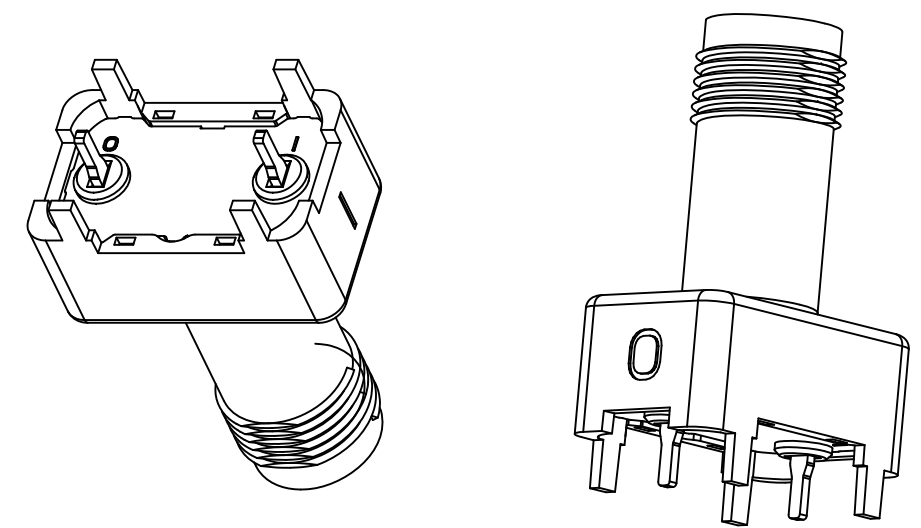
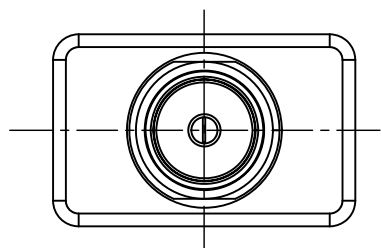


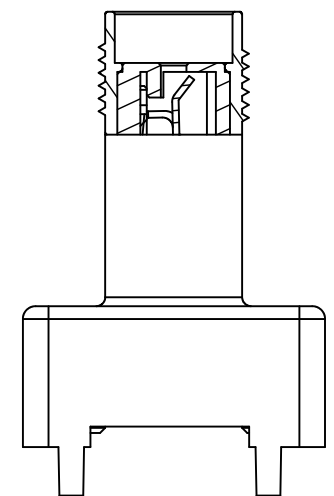
A3

REV	ECN NO	DESCRIPTION	DATE	APPD
X1	ECN20XXXX	NEW	2020.03.09	Bill
X2	ECN20XXXX	外观调整	2020.04.07	Bill

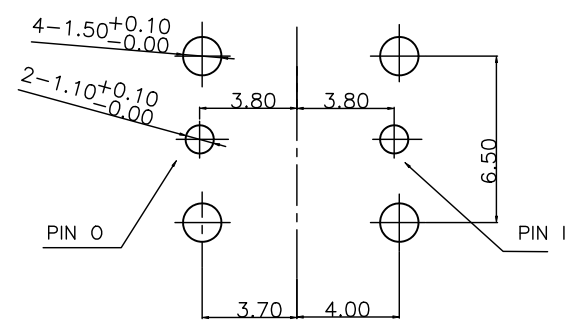
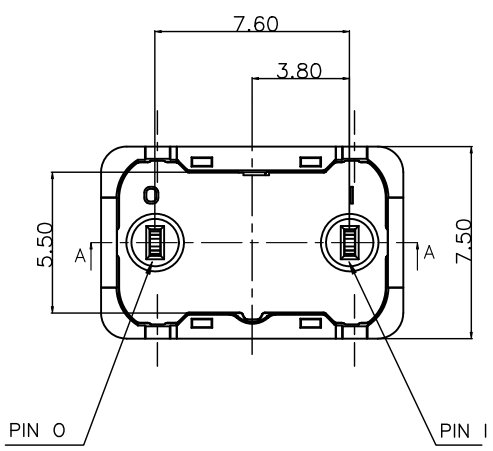


COAXIAL SWITCH CIRCUIT

- NOTES:
- PRODUCT SPECIFICATION:
    - CHARACTER IMPEDANCE:50Ω
    - LLCR:INITIAL:100mΩ MAX  
AFTER TEST:200mΩ MAX
    - INSULATION RESISTANCE:5000 MΩ MIN
    - DIELECTRIC WITHSTANDING VOLTAGE:  
1000V AC FOR 1MINUTE,60Hz
    - VSWR:(FREQUENCY)  
(DC~4.2GHz) NORMAL CLOSE 1.50 MAX  
NORMAL OPEN 1.50 MAX
    - INSERTION LOSS:(FREQUENCY)  
(DC~4.2GHz) NORMAL CLOSE 0.5dB MAX  
NORMAL OPEN 0.6dB MAX
    - ISOLATION :(FREQUENCY)  
(DC~4.2GHz) 10.0dB MIN
    - DURABILITY:500 CYCLES
    - SALT SPRAY:48H
  - ENVIRONMENTAL:  
OPERATION TEMPERATURE:-55℃~155℃
  - PRODUCT COMPLIANT TO ROHS AND HALOGEN FREE.



SECTION:A-A



PCB LAYOUT  
TOLERANCE±0.05mm

E	COVER HOUSING	LCP	NATURAL UL94V-0	1
D	HOUSING	LCP	NATURAL UL94V-0	1
C	NORMAL CLOSE CONTACT	C2680	NI:100U"MIN AU:15U"MIN SN:80U"MIN	1
B	COMMON CONTACT	C5210	NI:100U"MIN AU:15U"MIN SN:80U"MIN	1
A	SHELL	锌铝合金	MATTE TIN:180~250U"	1
NO.	PART NAME	MATERIAL	FINISH	Q'TY

EXTEND USE		TITLE		F.A.F.	
SMA WITH SWITCH		7.047A0 Conn. CUSTOMER DRAWING		DWG NO C-7.047A0	
GENERAL TOLERANCE		MATERIAL		P/N:	
DIMENSION		QTY		7.047A0-000-5Y0	
ANGLES		FINISHED		SHEET SCALE	
.0 ±0.25	. ±2'	DRN Yunhe Chai		1/1 1:1	
.0 ±0.15	.0 ±1'	2020.04.07		REV X2	
.00 ±0.10	.00 ±0.5'	2020.04.07			
.000 ±0.05					